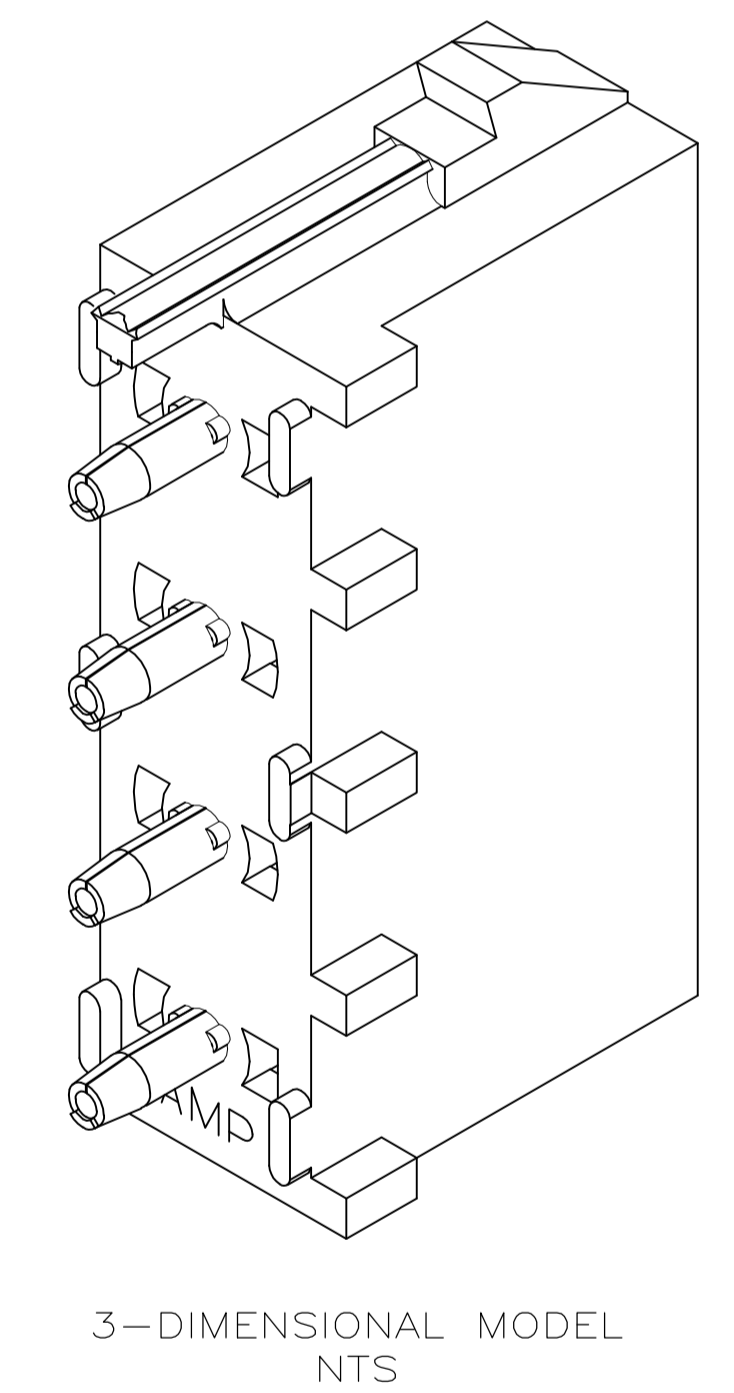
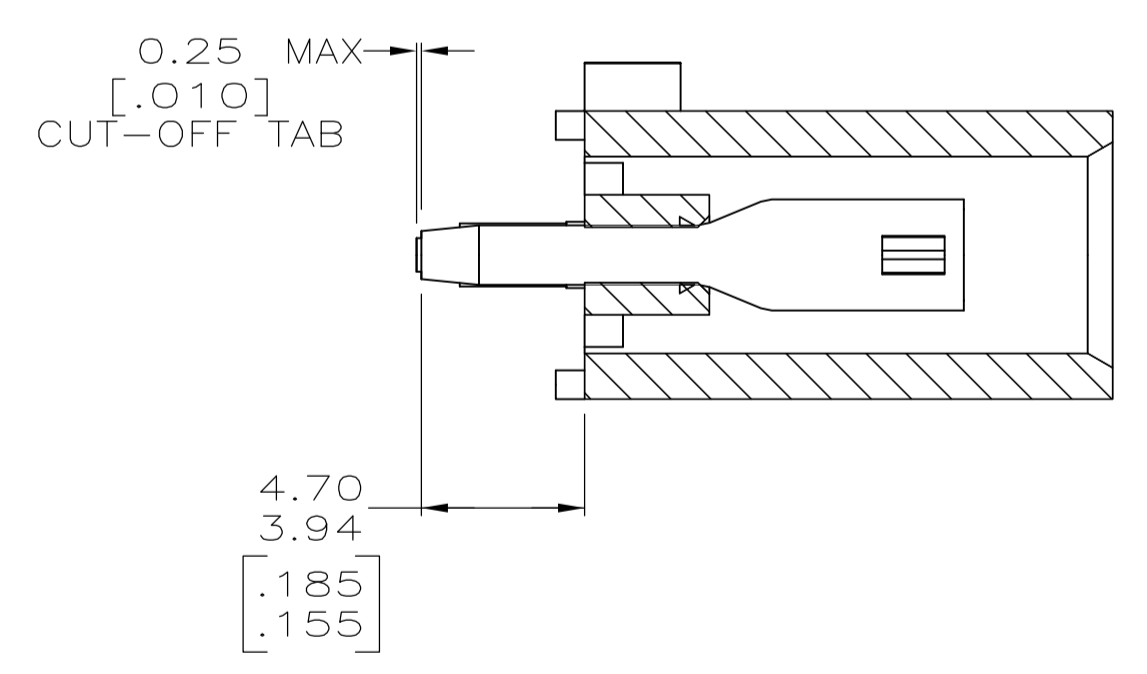
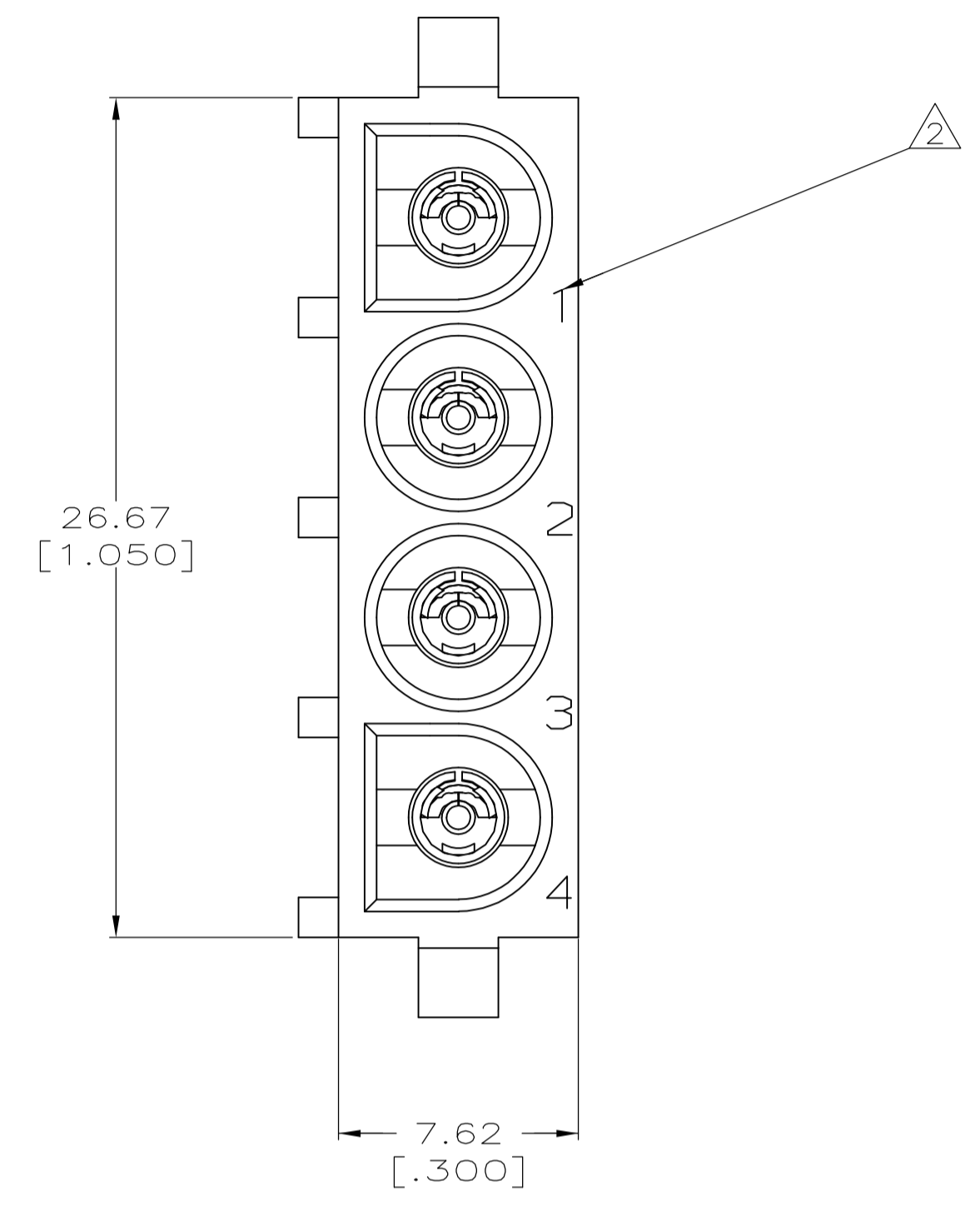
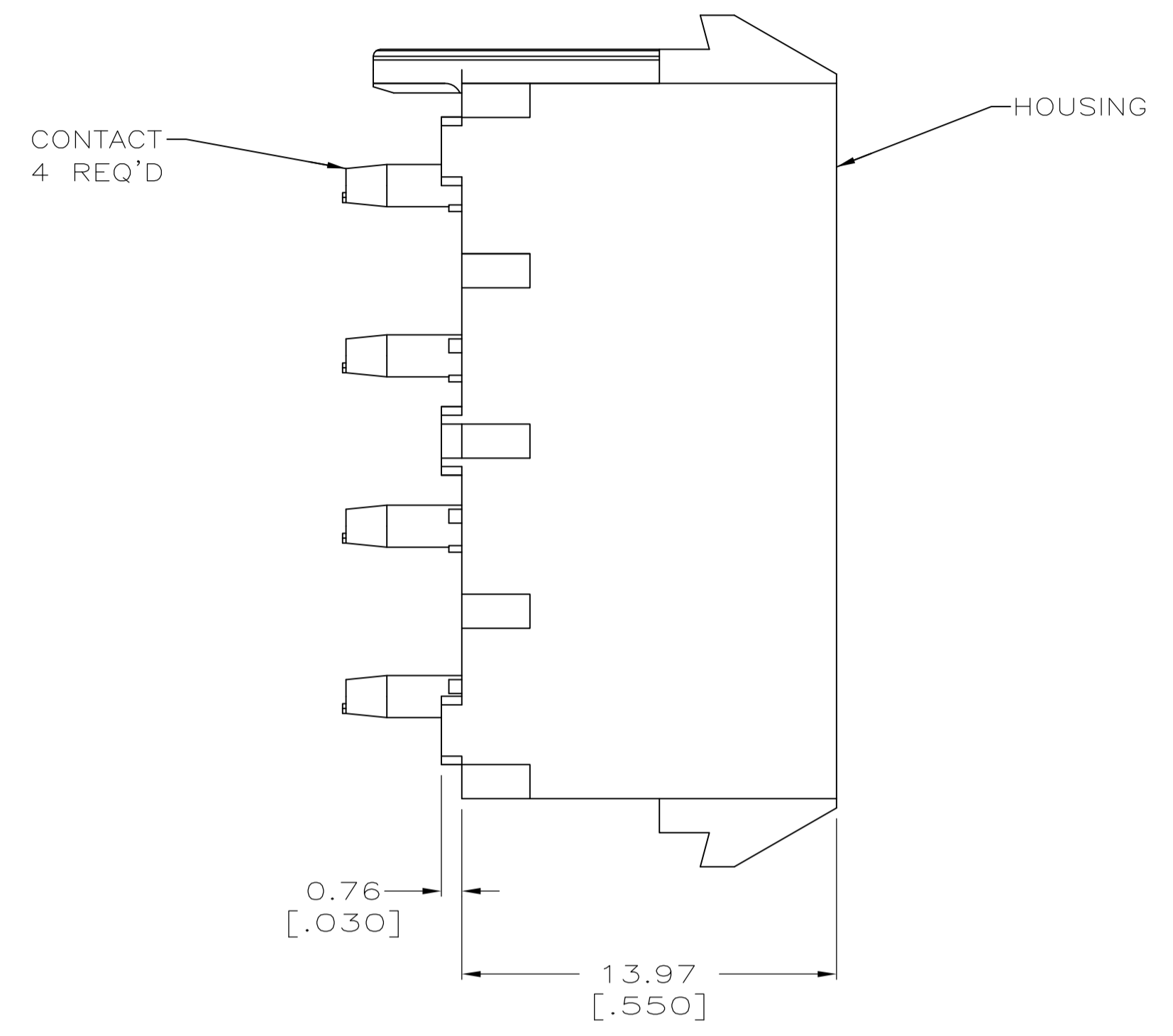
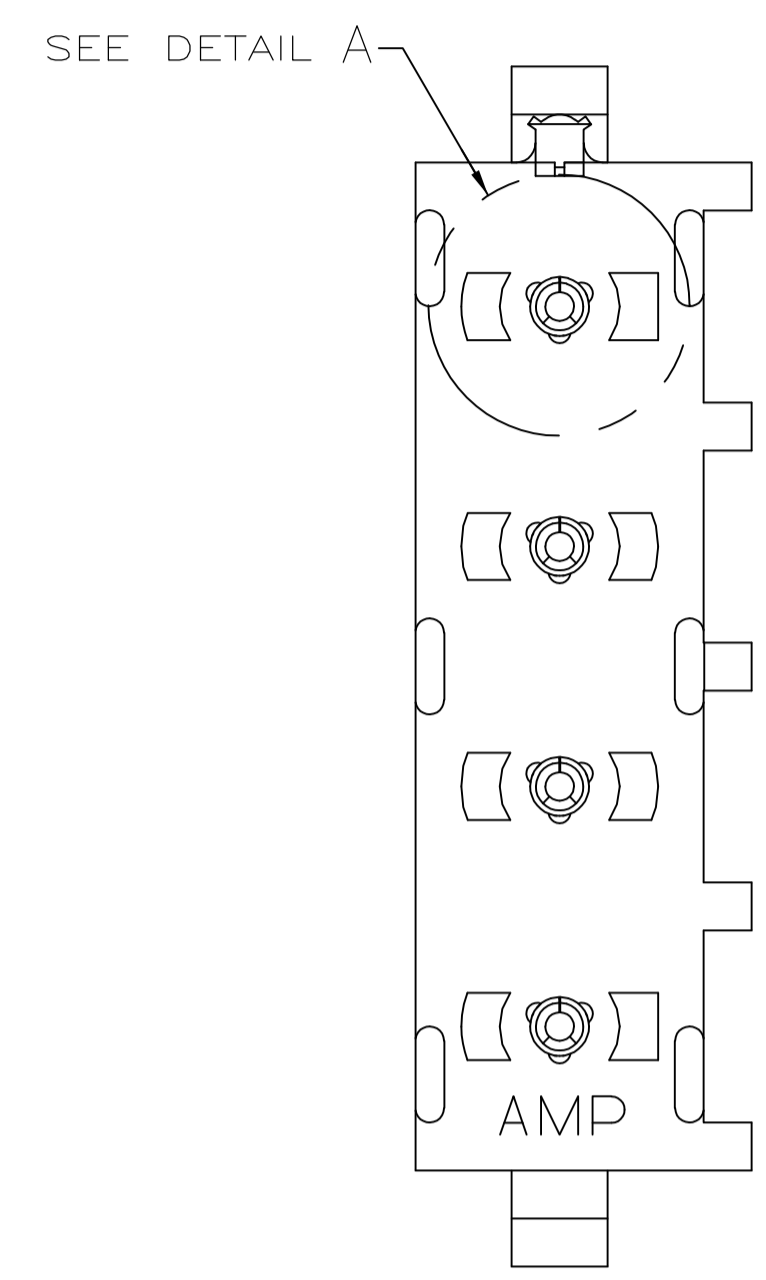
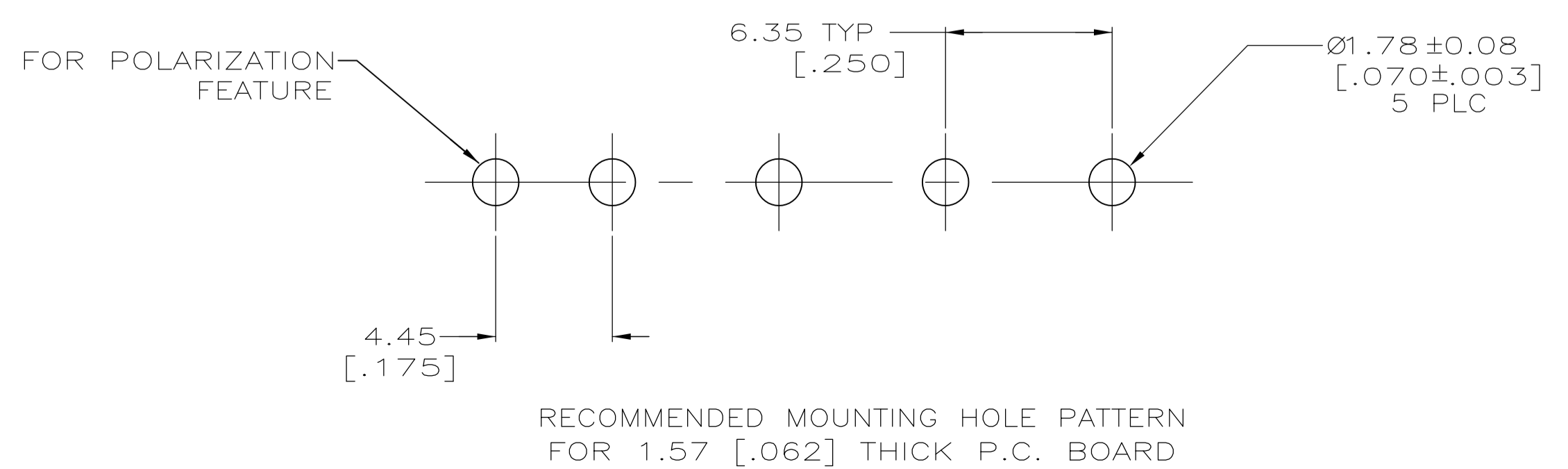


LOC		DIST		REVISIONS			
P	LTR	DESCRIPTION	DATE	DMN	APVD		
G		REVISED PER EC 063B-0300-00	23-JUN-00	KW	KC		
G1		REVISED PER ECR-14-006433	13MAY14	AV	KD		



- PARTS COMPLY TO TE SOLDERABILITY SPECIFICATION 109-11-3.
- CIRCUIT IDENTIFICATION CHARACTERS ARE ADJACENT TO THE INDICATED CAVITIES, BUT LOCATION AND ORIENTATION MAY DIFFER FROM PRINT.
- DIMENSIONS IN BRACKETS ARE IN INCHES.
- △ DRAIN HOLES LOCATED AS SHOWN. OPTIONAL CONSTRUCTION- ALL DRAIN HOLES LOCATED 90° AS SHOWN IN DETAIL A.



PHOSPHOR BRONZE, PRE-TIN	NYLON, UL94V-2, NATURAL	643415-1
PIN CONTACT MATERIAL AND FINISH	HOUSING MATERIAL	PART NO.
THIS DRAWING IS A CONTROLLED DOCUMENT. DIMENSIONS: mm [INCHES] TOLERANCES UNLESS OTHERWISE SPECIFIED: 0 PLC ± - 1 PLC ± - 2 PLC ± 0.13 [.005] 3 PLC ± - 4 PLC ± - ANGLES ± 0° 30'		BIN L McEACHIN 07-JAN-2000 CHK K COBLE 07-JUN-2000 APVD K COBLE 07-JUN-2000 NAME PRODUCT SPEC APPLICATION SPEC WEIGHT SIZE CAGE CODE DRAWING NO A1 00779 C=643415 CUSTOMER DRAWING
MATERIAL SEE TABLE FINISH SEE TABLE		STE TE Connectivity SOCKET HEADER ASSEMBLY, POLARIZED, 4 CIRCUIT UNIVERSAL MATE-N-LOK SCALE 5:1 SHEET 1 OF 1 REV G1

